




X500 Parts Replacement Instructions

This document is intended for service personnel. It provides information not found in the user manual. For information such as replacing the battery pack, hard disk drive kit, and media bay device, see the user manual of the product.

HDD door (P/N 34012800011)	2
Media bay door (P/N 34012800012)	2
RS232 door (P/N 34012800032)	3
ESATA/HDMI/USB door (P/N 34012800033 / 34012800060)	3
VGA door (P/N 34012800034)	3
RJ45 door (P/N 34012800035)	4
USB door (P/N 34012800036)	4
PCMCIA door (P/N 34012800037)	5
DC door (P/N 34012800038)	5
Audio door (P/N 34012800039)	5
Battery door (P/N 34012800042)	6
HDD in the HDD kit (P/N 523212840001)	6
ODD in the ODD kit (P/N 523487680053)	7
Keyboard (P/N 531012840005)	8

HDD door (P/N 340128000011)

To remove:

1.	Remove the two screws that secure the door to X500. 
2.	Detach the door from X500.

To install:

Reverse the removal procedure to install the new part.

Media bay door (P/N 340128000012)

To remove:

1.	Remove the three screws that secure the door to X500. 
2.	Detach the door from X500.

To install:

Reverse the removal procedure to install the new part.

RS232 door (P/N 34012800032)

To remove:

1.	Remove the two screws that secure each door to X500. 
2.	Detach the door from X500.

To install:

Reverse the removal procedure to install the new part.

ESATA/HDMI/USB door (P/N 34012800033 / 34012800060)

To remove:

1.	Remove the two screws that secure the door to X500. 
2.	Detach the door from X500.

To install:

Reverse the removal procedure to install the new part.

VGA door (P/N 34012800034)

To remove:

1.	Remove the two screws that secure the door to X500. 
2.	Detach the door from X500.

To install:

Reverse the removal procedure to install the new part.

RJ45 door (P/N 340128000035)

To remove:


1.	Remove the two screws that secure the door to X500. 
2.	Detach the door from X500.

To install:

Reverse the removal procedure to install the new part.

USB door (P/N 340128000036)

To remove:


1.	Remove the two screws that secure the door to X500. 
2.	Detach the door from X500.

To install:

Reverse the removal procedure to install the new part.

PCMCIA door (P/N 340128000037)

To remove:

1.	Remove the two screws that secure the door to X500. 
2.	Detach the door from X500.

To install:

Reverse the removal procedure to install the new part.

DC door (P/N 340128000038)

To remove:

1.	Remove the two screws that secure the door to X500. 
2.	Detach the door from X500.

To install:

Reverse the removal procedure to install the new part.

Audio door (P/N 340128000039)

To remove:

1.	Remove the two screws that secure the door to X500. 
2.	Detach the door from X500.

To install:

Reverse the removal procedure to install the new part.

Battery door (P/N 340128000042)

To remove:

1. Remove the two screws that secure the door to X500.



2. Detach the door from X500.

To install:

Reverse the removal procedure to install the new part.

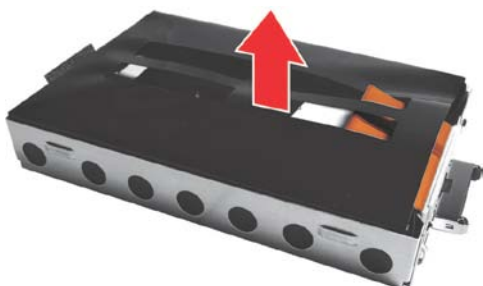
HDD in the HDD kit (P/N 523212840001)

To remove:

1. Remove the metal bracket of the HDD kit by disengaging six locking tabs (two at the right side, two at the left side, and two at the rear side). Press in the tabs to disengage them.



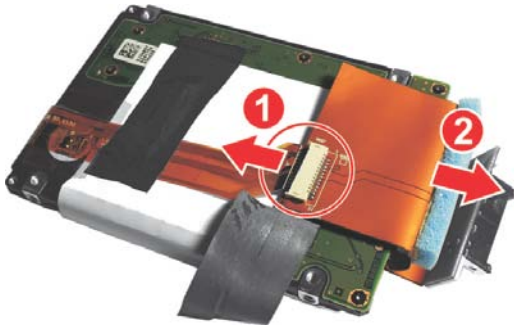
2. Lift up the plastic box containing the HDD.



- Slide the HDD out of the plastic box.



- Disconnect the data cable (❶) and detach the connector adapter (❷).



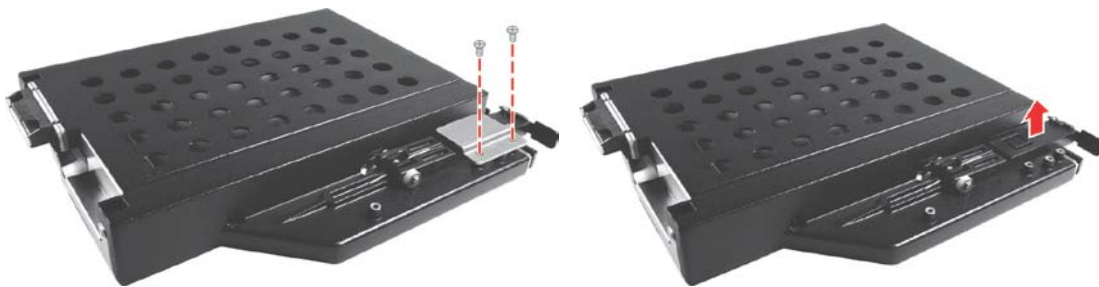
To install:

Reverse the removal procedure to install the new part.

ODD in the ODD kit (P/N 523487680053)

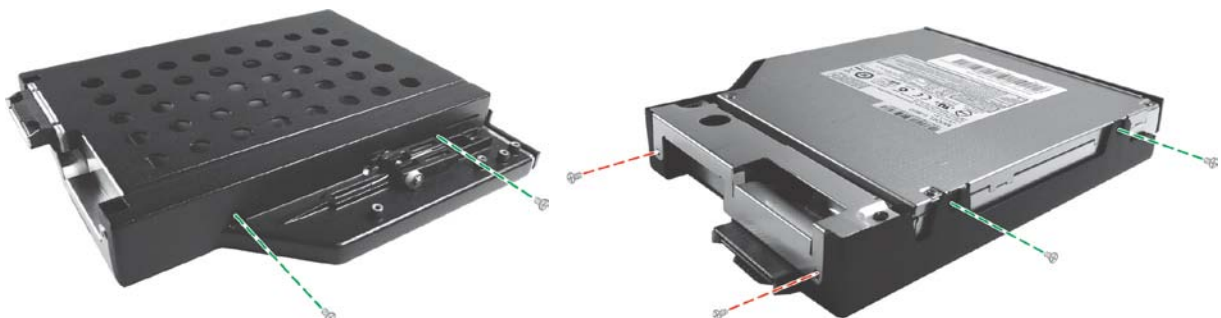
To remove:

- Remove two screws and detach the metal plate and pulling device from the ODD kit.



Screw P/N: 371102010432

- Remove a total of 6 screws from the ODD kit.



Screw P/N: 371102040315 (x 4)
Screw P/N: 371102010432 (x 2)

3. Detach the ODD from the kit.



To install:

Reverse the removal procedure to install the new part.

Keyboard (P/N 531012840005)

To remove:

1. Remove the battery pack.

2. Remove two screws from the rear of X500.



Screw P/N: 371102040620 (size: M2 x L6; torque: 2.0~2.5 kgf·cm)

3. Remove five screws from above the keyboard. Then lift the two hinges to detach the keyboard/hinge cover from X500.



Screw P/N: 371102040610 (size: M2 x L6; torque: 2.0~2.5 kgf·cm)

4. Remove the five screws (the middle one having a screw head different from the other four) that secure the keyboard to X500.



Screw P/N: 371102040610 (x 4) (size: M2 x L6; torque: 3.0~3.5 kgf·cm)

Screw P/N: 371102040620 (x 1) (size: M2 x L6; torque: 3.0~3.5 kgf·cm)

5. Flip the keyboard over and put it aside. Be careful not to pull the FPCs of the keyboard.



6. Detach the cable holder by unfastening four screws.



Screw P/N: 371102040610 (size: M2 x L6; torque: 2.0~2.5 kgf·cm)

7. Remove seven screws and open the VGA cover.



Screw P/N: 371102540510 (size: M2.5 x L5; torque: 3.0~3.5 kgf·cm)

8. Using a tool such as tweezers or a small flat-head screwdriver, gently pry up both sides of each connector to release the FPCs.



To install:

Reverse the removal procedure to install the new part.